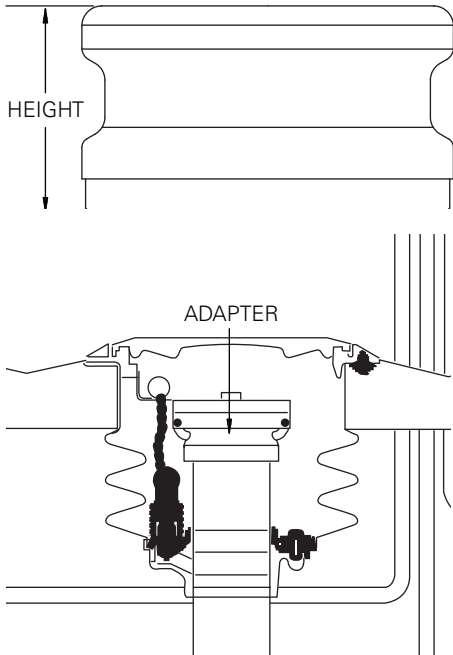




# TOP SEAL FILL PIPE ADAPTORS

Top seal fill pipe adapters are installed on the fill riser pipe in spill containment manways on an underground storage tank. The adapters are used to connect delivery drop elbows to the fill pipe for fuel deliveries. Adapters can be ordered with or without wrenching lugs to suit your installation preference. EBW® top seal fill pipe adapters fit all top seal drop elbows and top seal fill caps.



## HIGHLIGHTS

- Constructed of ASTM B62 corrosion-resistant brass.
- Nitrile gasket for a secure seal onto the fill pipe.

Model	Description
70541801	Brass RCA Fill Kit, 5" NIP, fits EBW® 5 gallon Grade Level Spill Containers (Includes one 5" nipple, one 77720202 4" Aluminum Fill Cap and one 77830101 fill adapter)
70541802	Brass RCA Fill Kit, 7" NIP, fits EBW® 5 gallon Below Grade Spill Containers (Includes one 7" nipple, one 77720202 4" Aluminum Fill Cap and one 77830101 fill adapter)
70541803	Brass RCA Fill Kit, 12.5" NIP, fits EBW® 15 gallon Grade Level Spill Containers (Includes one 12.5" nipple, one 77720202 4" Aluminum Fill Cap and one 77830101 fill adapter)
70541804	Brass RCA Fill Kit, 14.5" NIP, fits EBW® 15 gallon Below Grade Spill Containers (Includes one 77720202 4" Aluminum Fill Cap and one 77830101 fill adapter)

Model	Height		Description	Weight	
	In	mm		Lbs	Kg
77830101	2.69	68.27	4" x 4" with lugs - NPSM	2.00	0.90
77830102	2.69	68.27	4" x 4" without lugs - NPSM	2.00	0.90
77830105*	2.69	68.27	4" x 4" with lugs - NPSM	2.00	0.90
77830135	2.69	68.27	4" x 4" with lugs - BSPP	2.00	0.90
77830106	2.69	68.27	4" x 4" with lugs stainless steel - NPSM	2.08	0.95
77830132	2.69	68.27	4" x 4" without lugs - BSPP	2.00	0.90
77830201	2.25	57.15	4" x 3" with lugs - NPSM	2.00	0.90
77830231	2.25	57.15	4" x 3" with lugs - BSPP	2.00	0.90
77830302	2.69	68.27	4" x 4" composite with gasket - NPSM	2.00	0.90
77830330	2.69	68.27	4" x 4" composite - BSPP	0.49	0.22
77830332	2.69	68.27	4" x 4" composite with gasket - BSPP	0.49	0.22
78020001	1.75	44.45	3" x 3" without lugs - NPSM	2.00	0.90
Model	Description				
77020102	3" replacement gasket				
77020103	4" replacement gasket				

\*Biofuel compatible model (E85 and Biodiesel).